

## PELLET BURNER

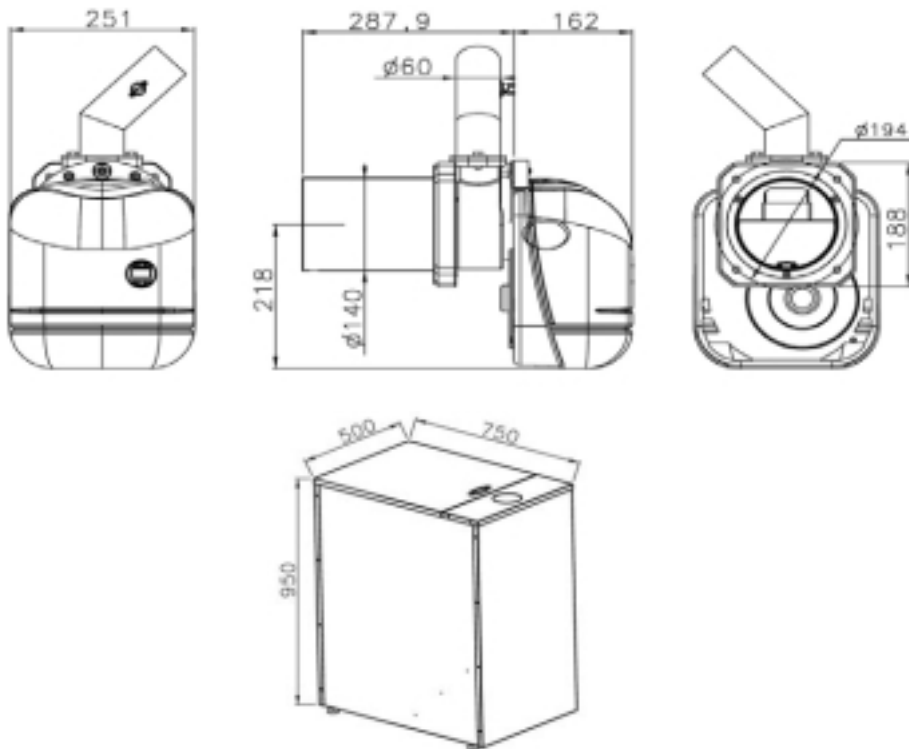
**Pellet burners are one of the most environmentally friendly ways of heating your home.**

Relatively new in Europe, pellet burners burn compressed wood pellets in a purpose-built fire. They are quite different from conventional woodburners, and are probably the least polluting form of heating for normal home use. We take a closer look.

Pellet burner - The **SUN P7** can be configured and adapted to all GF N models and GF N K.

### What are pellets made from?

Clean sawdust, wood shavings, cereals, grains, stems of green mass, hay and many different other environmentally friendly by-products are used to create pellets. Pellets are made from many, many different natural recyclable by-products, from pine needles to old houses.



**TANK**



MODEL			SUN P7
Output	max	kW	34,1
	min	kW	13,7
Flow rate	max	kg/h	7,2
	min	kg/h	2,9
Empty weight		kg	11
Tank content		kg	140
Tank capacity		l	195
Pellet dimensions	Ø/length	mm	6/35